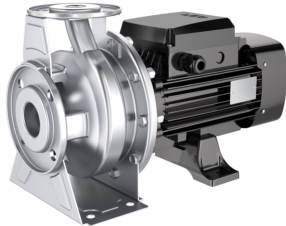
	<b>Product Information</b>  <b>XZS65-50-160/40</b>	Manufacturer	LEO
		Address	China,Zhejiang,Wenling
		Contact	0576-89988888
		Date	2023/05/17
<b>Project Name</b>		Client Name	Koslan
		Client Addr.	
<b>Item NO</b>		Contacts	luis guajardo
		Contact	

Part NO.	XZS65-50-160/40
----------	-----------------

Product Picture	Note
	<p>XZS series pumps are Stainless steel end suction singlestage centrifugal pump.</p> <p>Stamping(stretching, expansion, cold extrusion) &amp; welding and other advanced production process are adopted.</p> <p>Components have high interchangeability. Suitable for small flow, high lift. Has the advantages of beautiful appearance, compact structure, high efficiency, energy saving, durability, light corrosion resistance, low noise, etc..</p>

### Nameplate parameters

flow	25 m <sup>3</sup> /h
head	32 m
Efficiency	67 %
speed	2900 rpm
number of stages	1

### Technical

Curve tolerance	ISO 9906 Annex A
Flow range	2.542m <sup>3</sup> /h
Maximum lift (m)	39m
Maximum Altitude	1000m



### Material


Impeller	06Cr19Ni10
Pump shaft	
Fan	PP
Fan cover	08F
Motor support	HT200
Back cover	06Cr19Ni10
Nameplate	06Cr19Ni10
O-ring	NBR
Cover box cover	ZL102
Rear end cover	ZL102
Pump body component	06Cr19Ni10
baffle	
Bracket	HT200
Connector	

### Working conditions

Max. ambient temperature (°C)	+40°C
Liquid temperature range (°C)	-15°C+80°C
Pumped medium	Liquid without solid particles and long fiberslow viscositynon-combustiblemoderately corrosive
Working pressure	10bar

### Installation

Inlet / outlet dia.	DN
Inlet diameter (mm)	DN65
Outlet diameter (mm)	DN50
Connection standard	Flange connection

	<b>Product Information</b>  <b>XZS65-50-160/40</b>	Manufacturer	LEO
		Address	China,Zhejiang,Wenling
		Contact	0576-89988888
		Date	2023/05/17
<b>Project Name</b>		Client Name	Koslan
		Client Addr.	
<b>Item NO</b>		Contacts	luis guajardo
		Contact	

**Motor**

Motor phase                    three phase  
Protection class                IP55  
Motor poles                      2  
Insulation class                F  
Motor power (KW)               4kW  
Frequency                        50Hz  
Rated voltage (V)               380V  
Rated current (A)               8.1A

**Weight/Packaging**

Net weight (kg)                40kg  
Gross weight (kg)              47kg  
Package size                      585x335x405mm





# Performance Curve

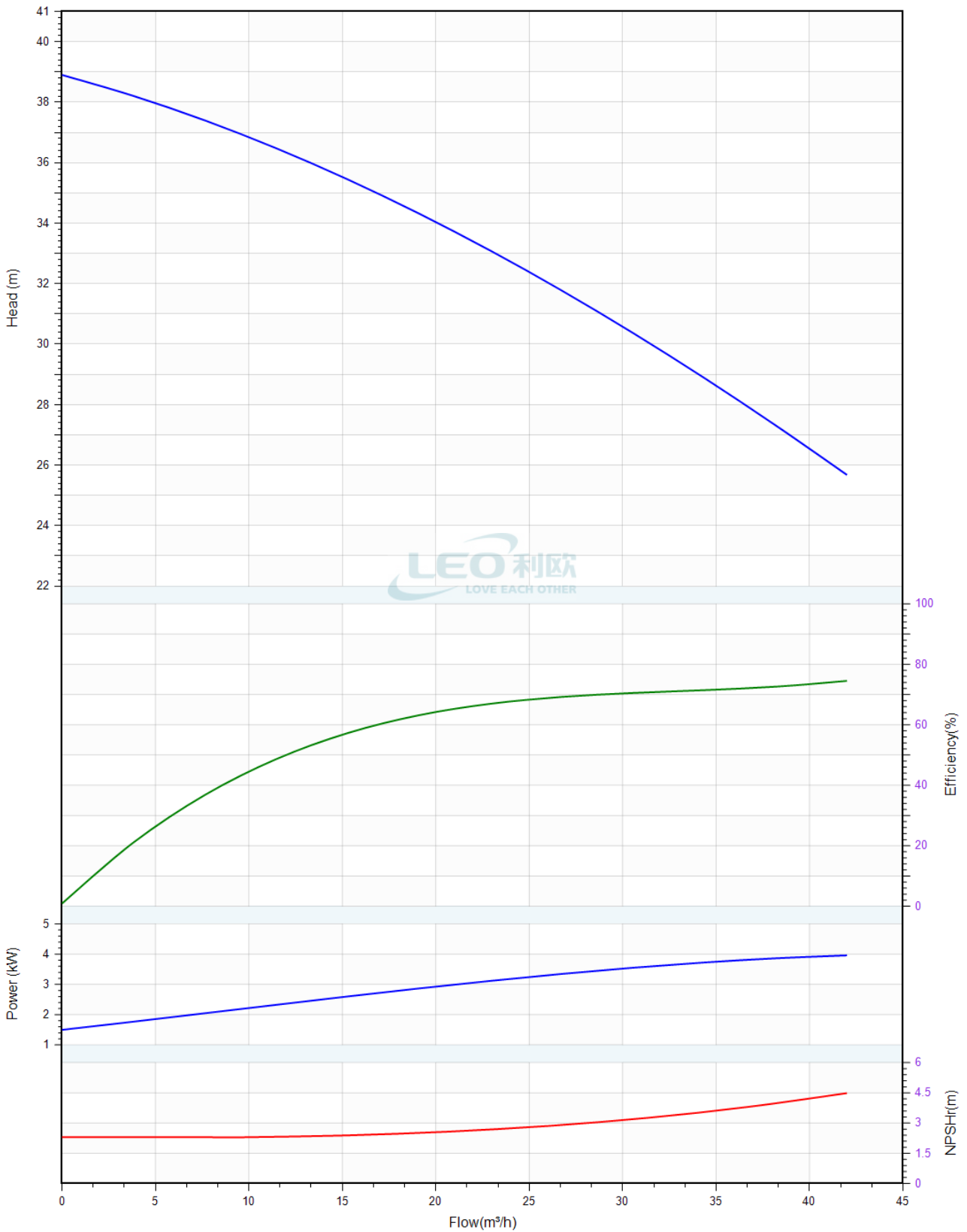
## XZS65-50-160/40

Manufacturer	LEO
Address	China,Zhejiang,Wenling
Contact	0576-89988888
Date	2023/05/17
Client Name	Koslan
Client Addr.	
Contacts	luis guajardo
Contact	

Project Name

Item NO

The hydraulic performance curve have been tested with Water at  $^{\circ}\text{C}$ , density  $1000\text{kg}/\text{m}^3$ , and at 1bar atmospheric pressure. GB32162016 Grande 3B





## Pump Technical Parameters

### XZS65-50-160/40

Manufacturer	LEO
Address	China,Zhejiang,Wenling
Contact	0576-89988888
Date	2023/05/17

Project Name

Client Name	Koslan
Client Addr.	

Item NO

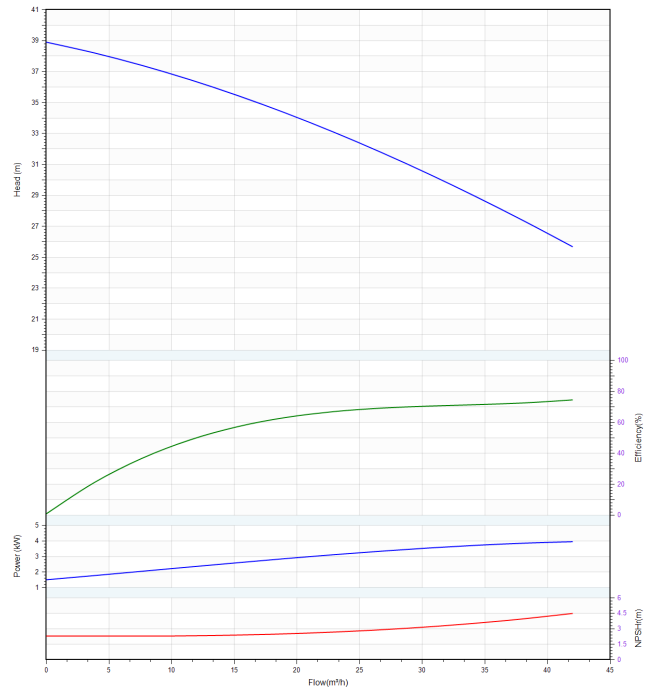
Contacts	luis guajardo
Contact	

#### Rated parameters

Pump model	XZS65-50-160/40
Part NO.	XZS65-50-160/40
Rated flow	25 m <sup>3</sup> /h
Rated head	32 m
Rated efficiency (%)	67
Power (kW)	3.25
NPSHr (m)	2.5
Speed (rpm)	2900

#### Medium

Pumped medium	Water
Working temperature (°C)	20
Medium density (kg/m <sup>3</sup> )	1000
Viscosity (mm <sup>2</sup> /s)	1

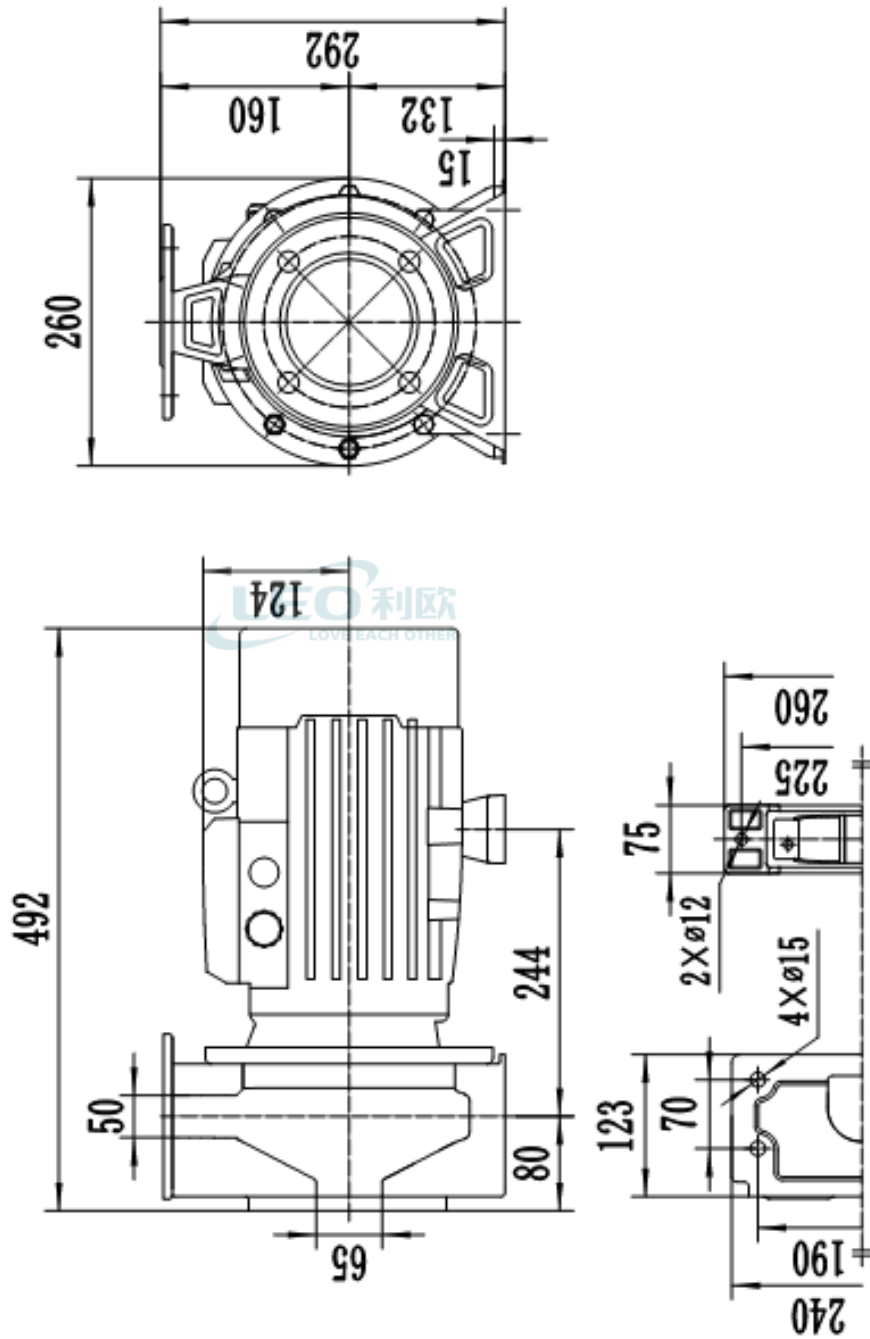


Manufacturer	LEO
Address	China,Zhejiang,Wenling
Contact	0576-89988888
Date	2023/05/17
Client Name	Koslan
Client Addr.	
Contacts	luis guajardo
Contact	

Project Name

Item NO

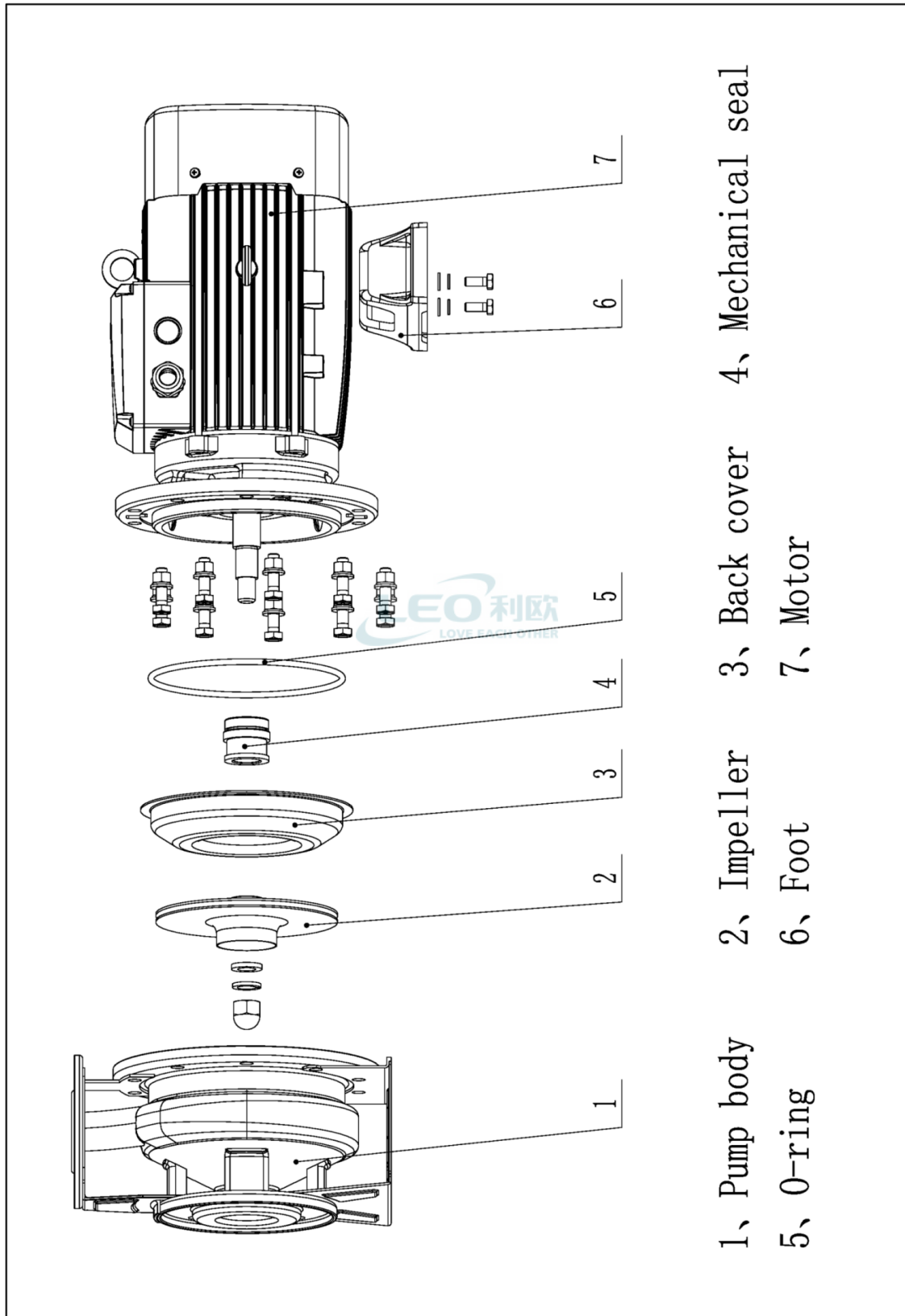
**XZS65-50-160/40**




Manufacturer	LEO
Address	China,Zhejiang,Wenling
Contact	0576-89988888
Date	2023/05/17
Client Name	Koslan
Client Addr.	
Contacts	luis guajardo
Contact	

Project Name

Item NO



- 1、 Pump body
- 2、 Impeller
- 3、 Back cover
- 4、 Mechanical seal
- 5、 O-ring
- 6、 Foot
- 7、 Motor

	<b>Physical picture</b> <b>XZS65-50-160/40</b>	Manufacturer	LEO
		Address	China,Zhejiang,Wenling
		Contact	0576-89988888
		Date	2023/05/17
Project Name		Client Name	Koslan
Item NO		Client Addr.	
		Contacts	luis guajardo
		Contact	

